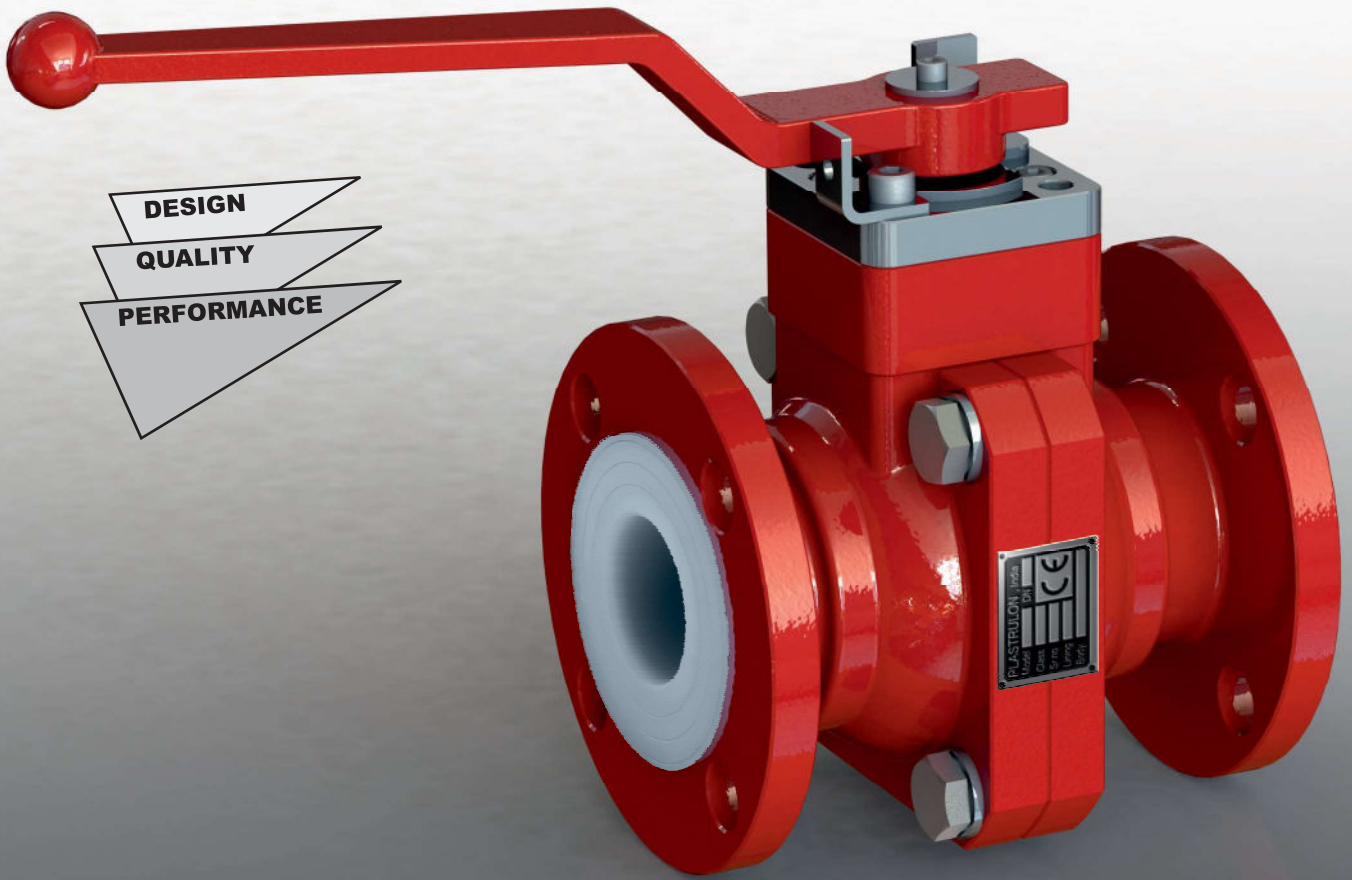


# PLASTRULON

THE ANSWER TO CORROSION

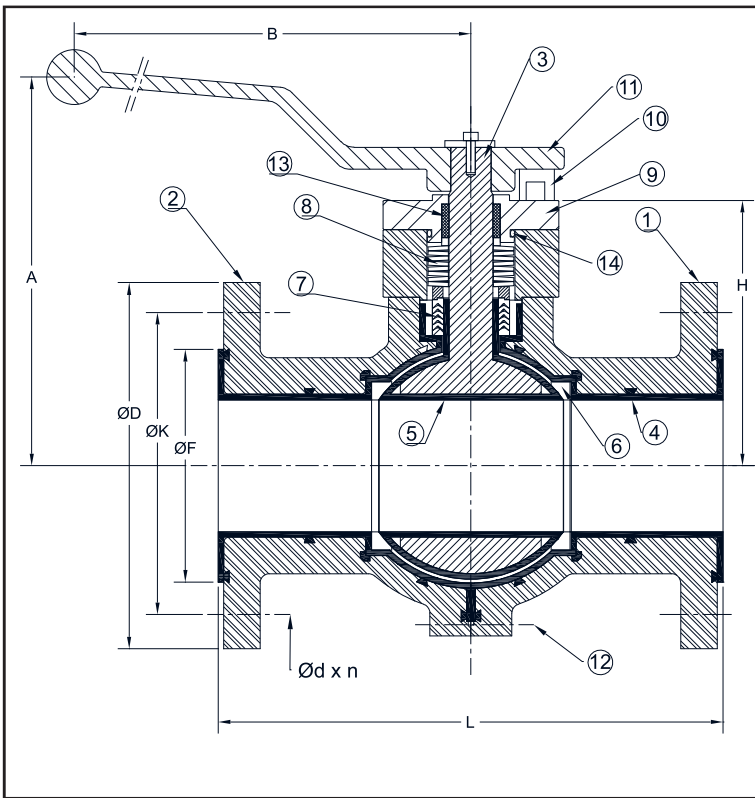


DESIGN  
QUALITY  
PERFORMANCE

PLASTIC LINED FULL PORT  
CENTER SPLIT  
ANSI 150 #

**BALL VALVE**

LININGS : PFA FEP PVDF PP



## DIMENSIONS in mm.

SIZE IN.	1/2"	3/4"	1"	1 1/2"	2"	3"	4"	6"
DN	15	20	25	40	50	80	100	150
L	108	117	127	165	178	203	229	267
H	77	99	99	104	112	145	181	228
ØD	89	98.5	108	127	152.4	190.5	229	279
Ød x n	16 x 4	16 x 4	16 x 4	16 x 4	19 x 4	19 x 4	19 x 8	23 x 8
K	60.3	69.9	79.5	98.4	120.7	152.4	190.5	241.3
B	150	175	175	225	250	300	350	600
A	95	129	129	166	175	220	265	308
F	35	43	51	73	92	127	157	216

SIZE	APPROX. WEIGHT	TORQUE, Kgm		FLOW RATE			
		@ ΔP=10 bar / 150psi		Kvs	Cv		
inch	DN	lb.	Kg.	Oper.	Max. permitted	m3/h	US gpm
1/2"	15	6.0	2.6	0.4-0.6	1.2	18	20.5
3/4"	20	11	4.9	0.6-1.2	2	61	70.5
1"	25	12	5.1	0.6-1.2	2	61	70.5
1 1/2"	40	24	10.6	1.2-2.4	5	189	219
2"	50	30	13.6	2.5-3.5	8	277	321
3"	80	61	27.6	4.0-6.0	16	598	692
4"	100	102	46	6.0-9.0	32	1254	1451
6"	150	182	82.3	16-20	50	2778	3215

## MATERIAL SPECIFICATION

No.	Description	Standard Material	Optional Material	Qty.
1	Body A	ASTM A216 WCB / EN 10213 1.0619	EN1563 : EN-GJS-400-18-RT / ASTM A 395 60-40-18	1
2	Body B		ASTM A351 Gr. CF8 / CF8M	1
3	Ball-Stem	EN 10283 1.4308 / ASTM A351 CF8	ASTM A351 Gr. CF8M	1
4	Body Lining	PFA	PVDF / FEP	1
5	Ball lining	PFA	PVDF / FEP	1
6	Seat ring set	PTFE	M-PTFE (TFM)	1
7	Packing ring set	PTFE	M-PTFE (TFM)	1
8	Disc spring set	AISI 304	AISI 316	1
9	Packing Gland Cover	EN 10283 1.4308 / ASTM A351 CF8	ASTM A351 Gr. CF8M	1
10	Lever stopper (Lockable)	AISI 304	AISI 316	1
11	Lever	ASTM A216 WCB	ASTM A351 Gr. CF8 / CF8M	1
12	Fasteners set	ASTM 193 GR. B8	ASTM A194 B7 / B8M	1
13	Secondary Stem Seal	PTFE-GRAPHITE	PTFE	1
14	O-Ring	VITON		1

### TECHNICAL DATA

Pressure range : 0-16 bar (refer P&T chart)  
 Temperature range : (-) 60 -200 °C (refer P&T chart)  
 Vacuum resistance : Full vacuum (refer P&T chart)  
 Face to face : ANSI B16.10 Short pattern  
 options- DIN 3202/F1 / ANSI B16.10 Long pattern,  
 Flange drilling : ANSI B16.5-150#  
 options- DIN PN 10/16, ANSI B16.5-300#

### OPTIONAL PRODUCT CONFIGURATIONS

- Special 'V' port ball for improved flow control.
- Ball valve with extended stem and ISO 5211 actuator mounting flange.
- Ball Valve with actuator mounted using a bracket and adapter.
- Manually Operated Ball Valve with Lockable lever.



PLASTRULON make Lined Ball valves can be supplied with CE mark as per EU Pressure Equipment Directive 2014/68/EU (PED). Valves are inspected and certified as CE compliant by PED Notified body.



PLASTRULON make valves do not have their own potential ignition source, hence not considered to be an equipment under the scope of the ATEX Directive 2014/34/EU.



# PLASTRULON

PLASTRULON PROCESSORS PVT. LTD.  
 B102 Sagar Garden, LBS Road,  
 Mulund (W), Mumbai 400080. India.  
 Tel. : 91 22 25602533 / 25610520  
 Email : sales@plastrulon.global  
 Website : www.plastrulon.global

Plastrulon PFA Lined Full Bore Ball Valve ANSI Short pattern (New Design)					
Size	Description	Operating torque (no safety)			
		KGM		NM	
		$\Delta P = 10$ barg	MAST	$\Delta P = 10$ barg	MAST
1/2"	FB11TTT - 150	0.4 - 0.6	1.2	4 - 6	12
3/4"	FB11TTT - 150	0.6 - 1.2	2	6 - 12	20
1"	FB11TTT - 150	0.6 - 1.2	2	6 - 12	20
1.5"	FB11TTT - 150	1.2 - 2.4	5	12 - 24	49
2"	FB11TTT - 150	2.5 - 3.5	8	24 - 34	78
3"	FB11TTT - 150	4 - 6	16	39 - 59	157
4"	FB11TTT - 150	6 - 9	32	59 - 88	314
6"	FB11TTT - 150	16 - 20	50	157 - 196	490

Plastrulon PFA Lined Full Bore Ball Valve DIN Long pattern (New Design)					
Size	Description	Operating torque (no safety)			
		KGM		NM	
		$\Delta P = 10$ barg	MAST	$\Delta P = 10$ barg	MAST
1/2"	FB21TTT - PN16	0.4 - 0.6	1.2	4 - 6	12
3/4"	FB21TTT - PN16	0.6 - 1.2	2	6 - 12	20
1"	FB21TTT - PN16	0.6 - 1.2	2	6 - 12	20
1.5"	FB21TTT - PN16	1.2 - 2.4	5	12 - 24	49
2"	FB21TTT - PN16	2.5 - 3.5	8	24 - 34	78
3"	FB21TTT - PN16	4 - 6	16	39 - 59	157
4"	FB21TTT - PN16	6 - 9	32	59 - 88	314
6"	FB21TTT - PN16	16 - 20	50	157 - 196	490

**Torque figures are based on a lubricated duty and are constant.**